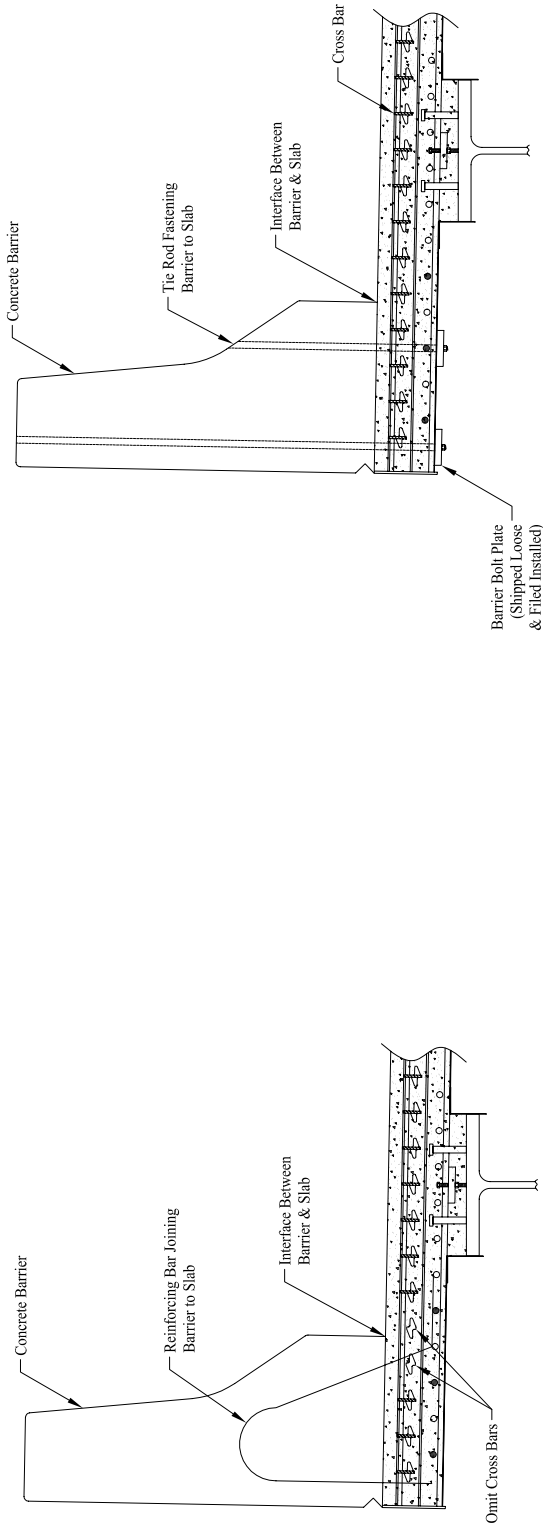


# REFERENCE DRAWING - Barrier & Railing Attachment Details

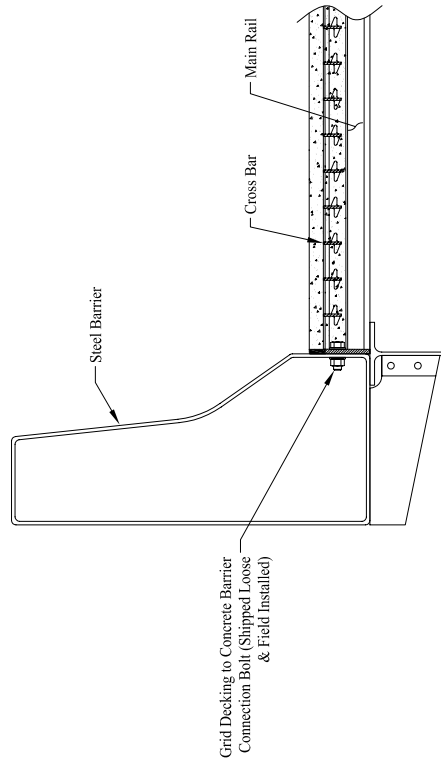


**Weldless Barrier Connection**

N.T.S.

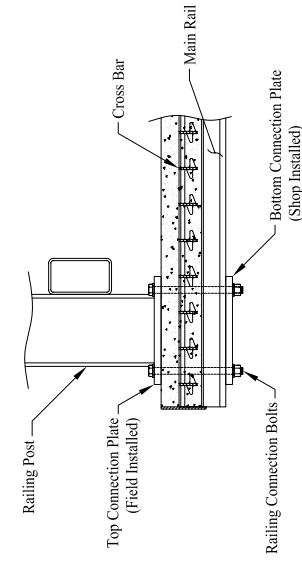
**Bolted Barrier Connection**

N.T.S.



**Bolted Barrier Connection**

N.T.S.



**Bolted Railing Post Connection**

N.T.S.



Interlocking deck  
systems international

115 41st Street

Pittsburgh, PA 15201

Ph. (412) 682-3041

Ex. (412) 682-3560

E-MAIL: [info@idsi.org](mailto:info@idsi.org)

VISIT US AT: [www.idsi.org](http://www.idsi.org)

IDSI reserves the right to make minor design changes to this product in order to further its integrity and ease of fabrication

FOR REFERENCE ONLY

ATTACHMENT DETAILS

5-3/16" MAIN RAIL

DATE: NTS

DESIGNED BY: JMO

DATE: 09/03/2003

SCALE: A

REV: 0

NO. D0107

REV: 0