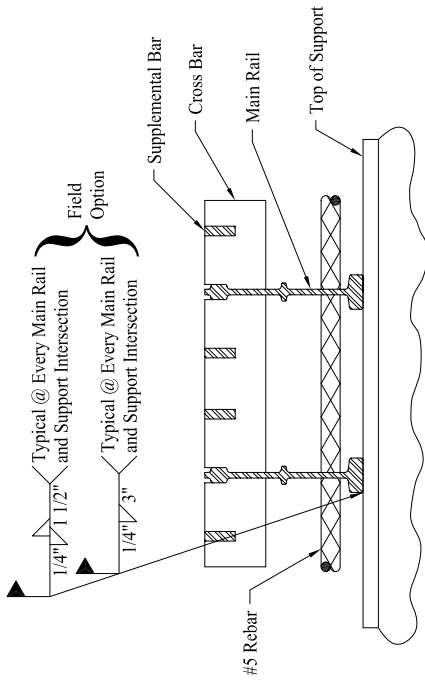
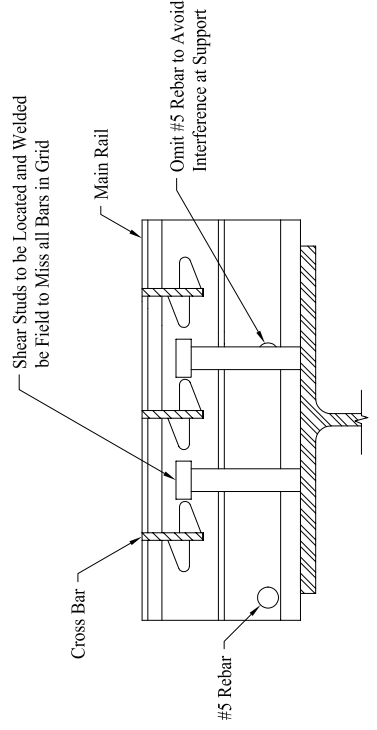


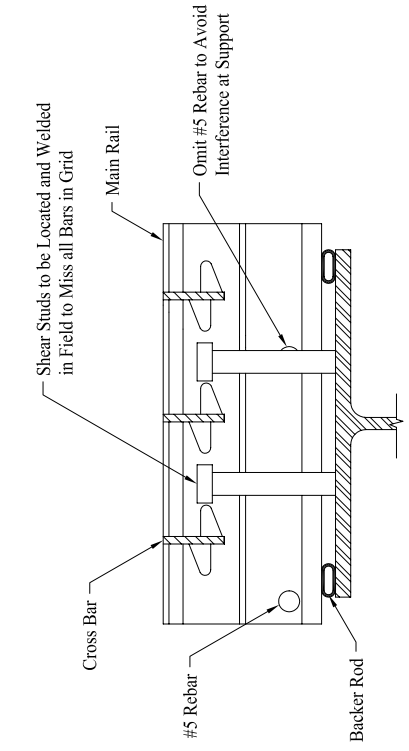
REFERENCE DRAWING - Attachment Details



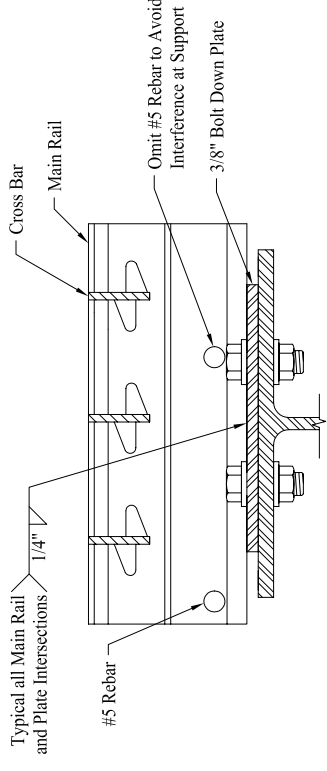
Welded Attachment Detail
N.T.S.




Shear Stud Connection Detail
N.T.S.



Backer Rod Haunch Detail
N.T.S.



Bolt Down Plate Detail
N.T.S.

 interlocking deck systems international	5-3/16" MAIN RAIL			
	ATTACHMENT DETAILS			
REFERENCE ONLY				
DATE	BY	CHECKED BY	DATE	REV
A	JMO	JMO	09/03/2003	0
SCALE	N.T.S.	DATE	09/03/2003	REV
115 41st Street	Pittsburgh, PA 15201			

VISIT US AT: www.idsi.org E-MAIL: info@idsi.org Ph. (412) 682-3041 Ex. (412) 682-3560

IDSi reserves the right to make minor design changes to this product in order to further its integrity and ease of fabrication