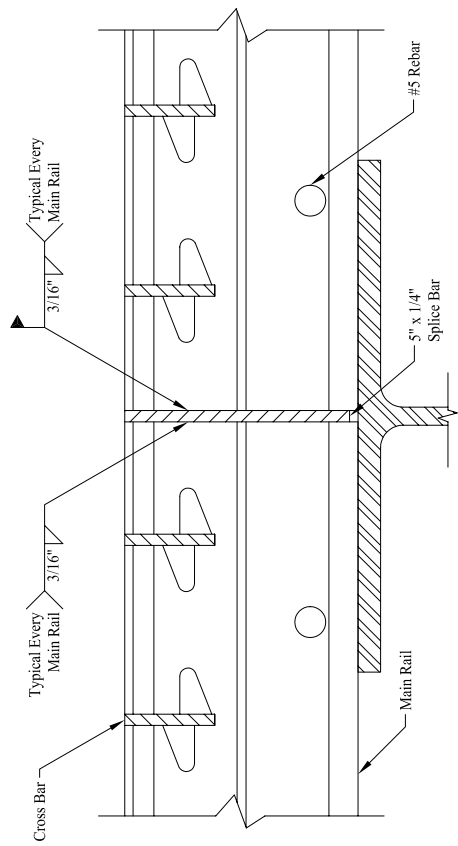
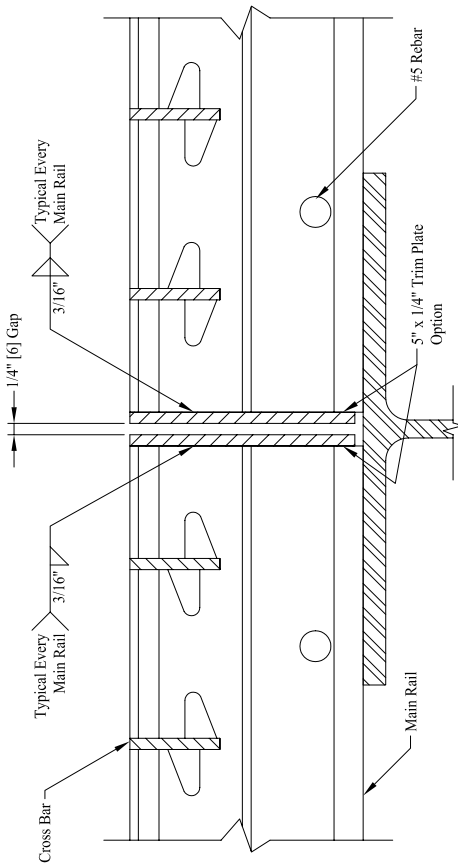


REFERENCE DRAWING - Splice & End Trim Details For 5-3/16" Decks



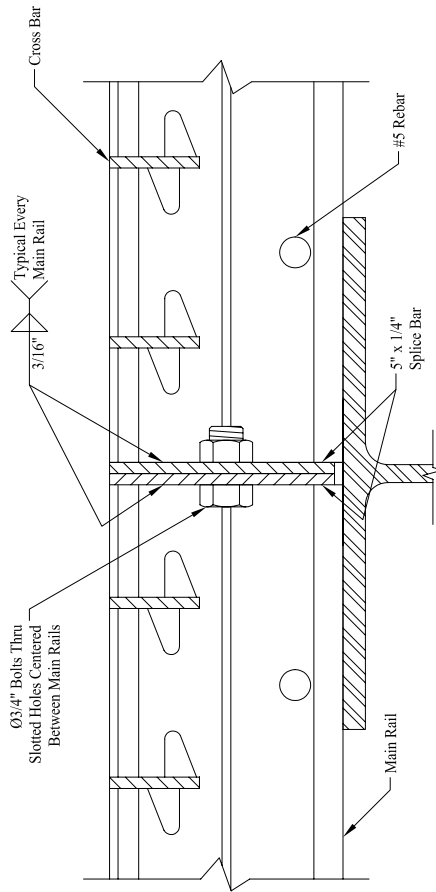
Welded Main Rail Splice

N.T.S.



Welded End Trim

N.T.S.



Bolted Main Rail Splice

N.T.S.



interlocking deck
systems international

115 41st Street
Pittsburgh, PA 15201

REFERENCE ONLY

SPLICE & END TRIM DETAILS

5-3/16" MAIN RAIL

| | | | |
|------------|-------------|-----------|------|
| DATE | DESIGNED BY | CHKD. NO. | REV. |
| 09/03/2003 | JMO | D0105 | 0 |

| | |
|-------|-----|
| SCALE | NTS |
|-------|-----|

VISIT US AT: www.idsi.org E-MAIL: info@idsi.org Ph. (412) 682-3041

FX. (412) 682-3560

IDSI reserves the right to make minor design changes to this product in order to further its integrity and ease of fabrication