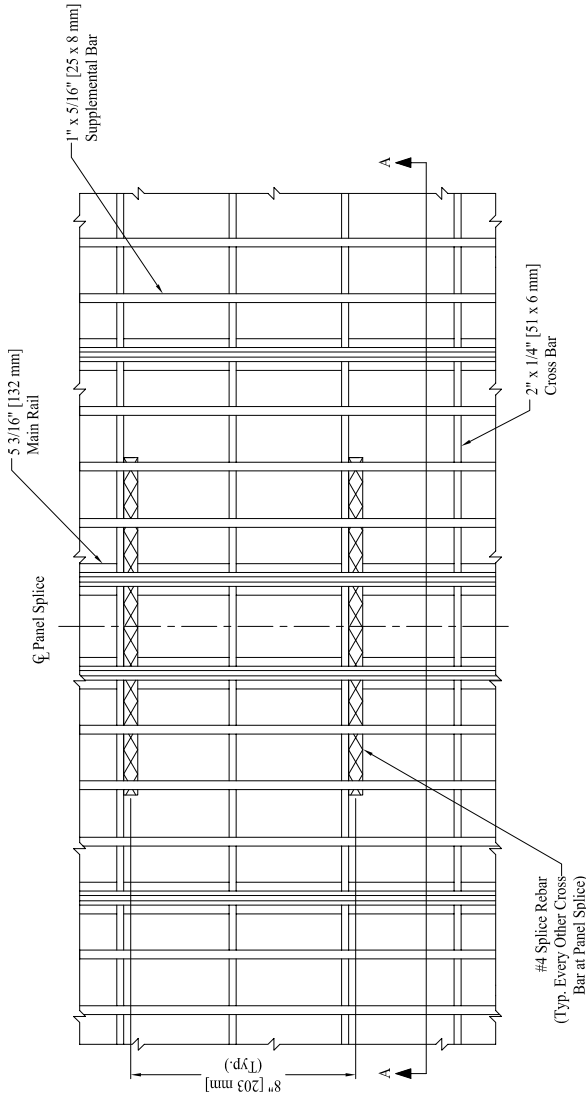
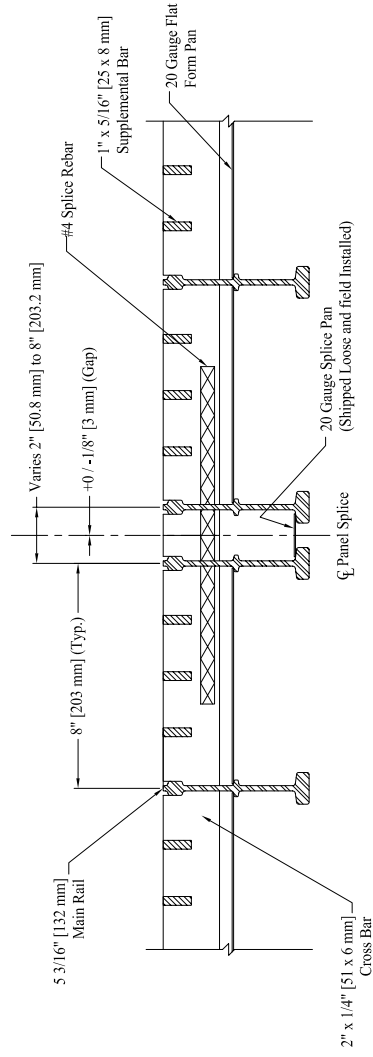


# REFERENCE DRAWING - PDS55 SERIES - Panel Splice Detail



Plan of Typical Panel Splice Detail

N.T.S.  
(Form and Splice Pans Not Shown For Clarity)



Section A-A  
Typical Panel Splice Detail

N.T.S.



interlocking deck  
systems international

115 41st Street  
Pittsburgh, PA 15201

FOR REFERENCE ONLY

PDS55 SERIES

WELDLESS SPICE DETAIL

VISIT US AT: <a href="http://www.idsi.org">www.idsi.org</a>	E-MAIL: <a href="mailto:info@idsi.org">info@idsi.org</a>	Ph. (412) 682-3041	Fx. (412) 682-3560
IDSI reserves the right to make minor design changes to this product in order to further its integrity and ease of fabrication			

DATE	BY	CHECKED BY	DATE	SCALE	REVISION
A	JMO	JMO	09/04/2003		0
	NTS				1