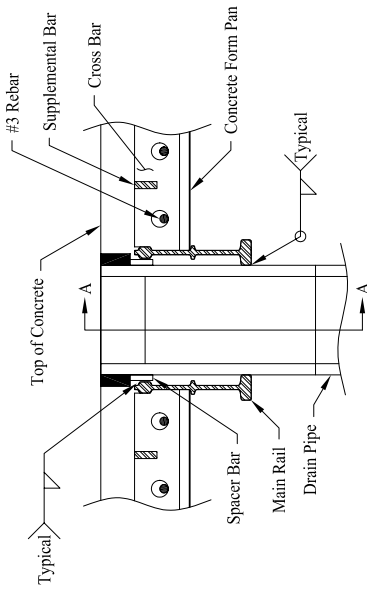
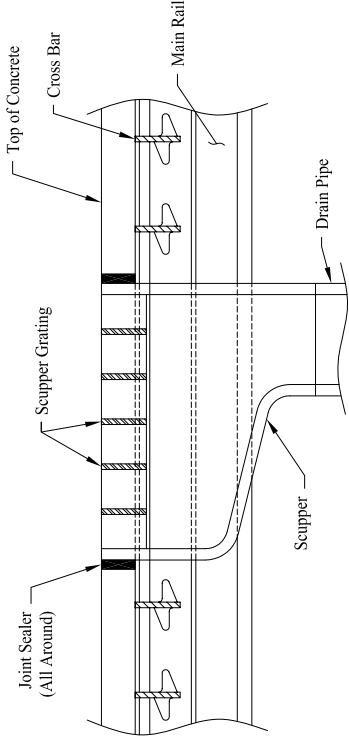


REFERENCE DRAWING - Scupper Details



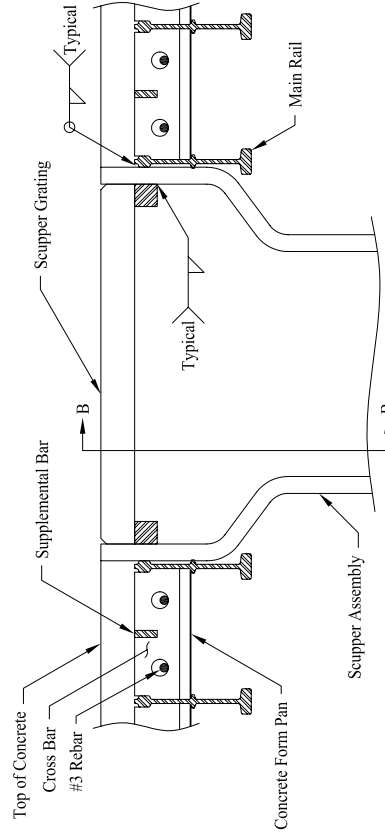
Between Main Rail Option

N.T.S.



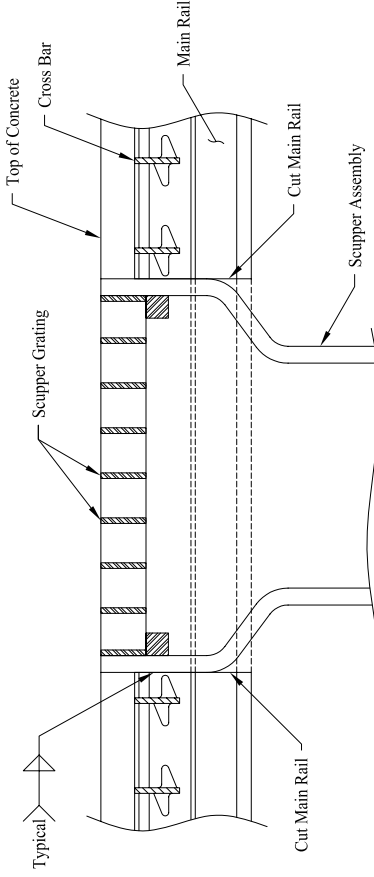
Section A-A

N.T.S.



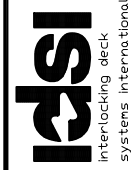
Modified Main Rail Option

N.T.S.



Section B-B

N.T.S.



FOR REFERENCE ONLY
SCUPPER DETAILS
5-3/16" MAIN RAIL

VISIT US AT: www.idsi.org	E-MAIL: info@idsi.org	Ph. (412) 682-3041	Ex. (412) 682-3560	DATE: NTS	DESIGNED BY: JMO	DRAWN BY: JMO	DATE: 09/03/2003	REV: 0
IDSI reserves the right to make minor design changes to this product in order to further its integrity and ease of fabrication				SCALE: NTS	DATE: 09/03/2003	DATE: D0109	DATE: 09/03/2003	REV: 0